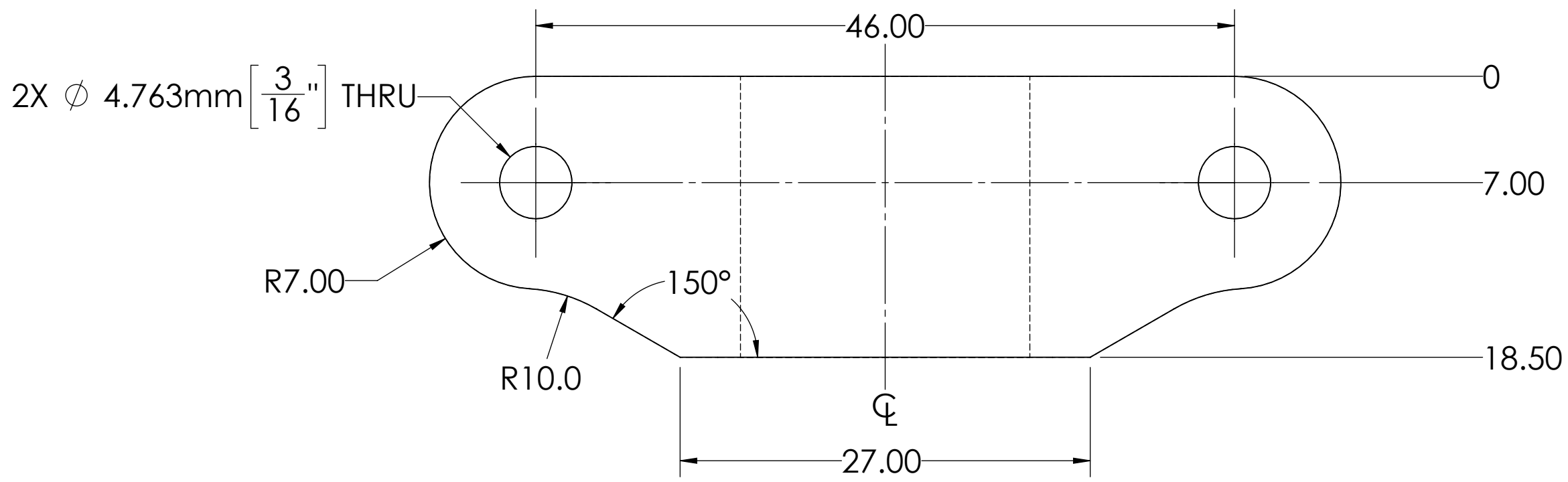
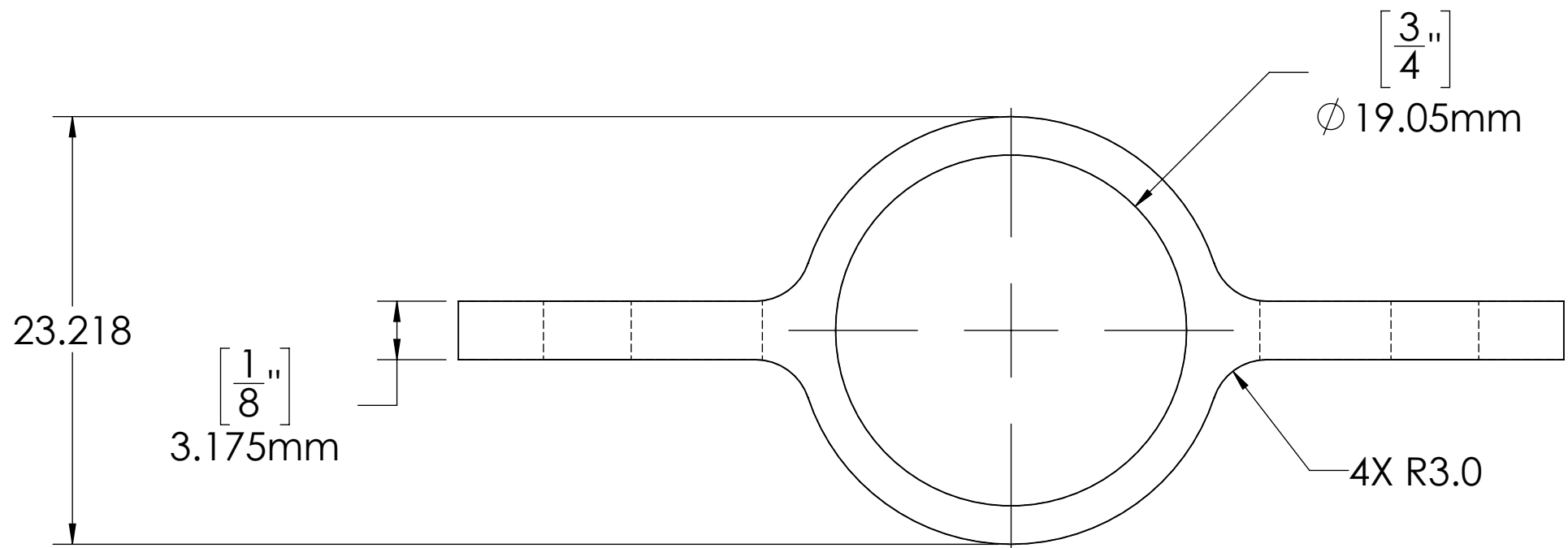
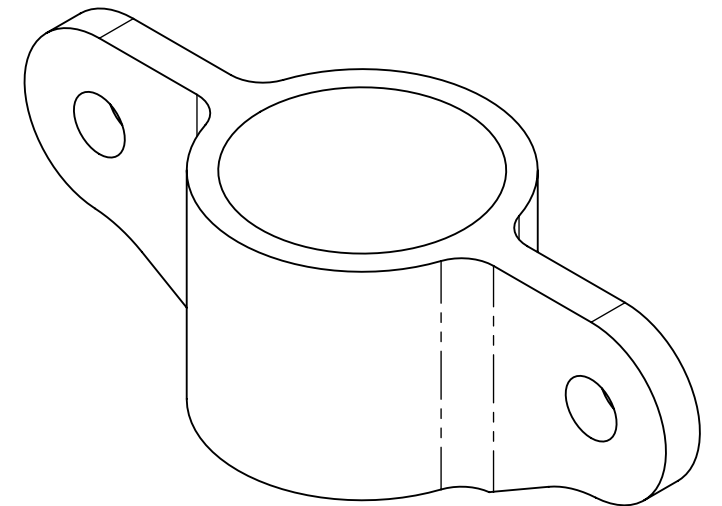


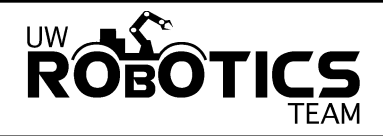
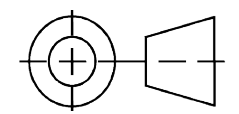
NOTES:
MATERIAL: 6061 ALUMINUM



UNLESS OTHERWISE SPECIFIED
DIM ARE IN MILLIMETERS

ANGLES $\pm .5^\circ$ SIZE X = ± 2.5
X.X = ± 0.25
X.XX = ± 0.13
X.XXX = ± 0.013

SURFACE Ra $\nabla 3.0$



TITLE			
NUT CARRIAGE			
SIZE	QTY	DWG NO	REV
A3	1	MR21-MT-P0005A	A
SCALE 3:1	MASS 11.33 g	DRAWN BY Austin H	SHEET 1 OF 1